



## TITELINER

Vawdrey's traditional curtain sided trailer is available in Flat Deck, Drop Deck and rigid truck body configurations. A product of ongoing specification evolution over the past decade the only thing that has not changed is the industry benchmark quality, reliability and finish standards. Innovations include multiple styles of mezzanine decks and post variations and both ambient and chiller specifications.



- Dry Freight and refrigerated specifications available



- Heavy Duty cast aluminium curtain tensioners, available to both front and rear.



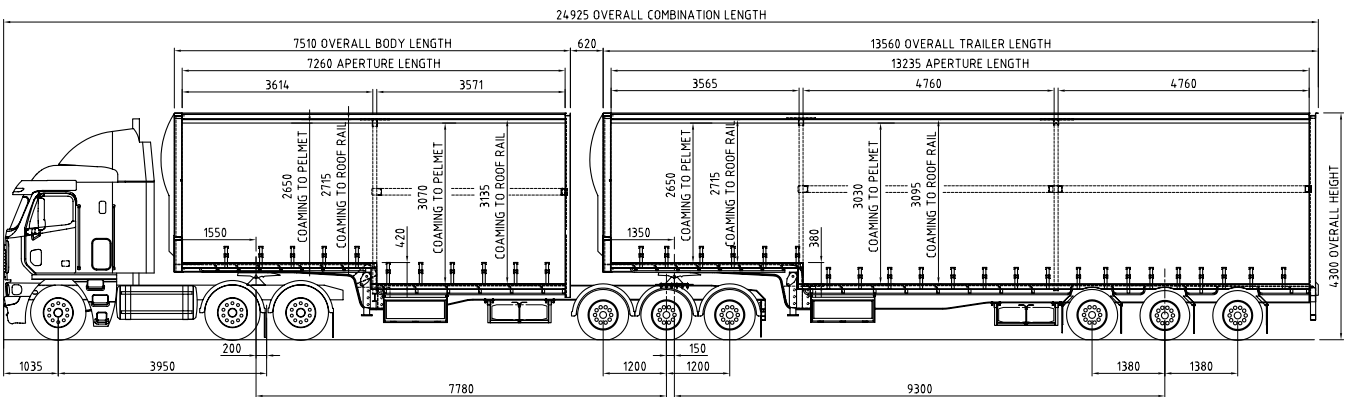
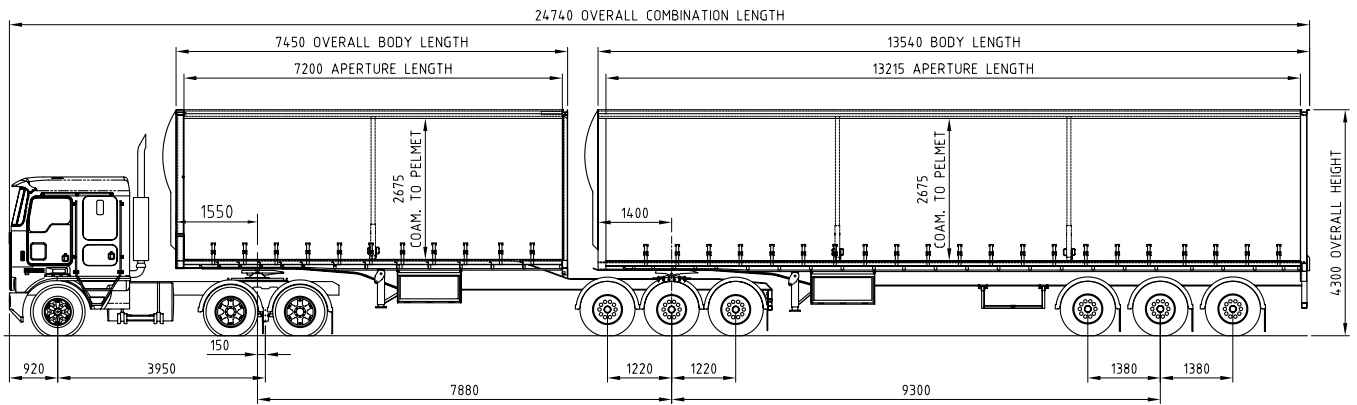
- Aerodynamic front wind bubble and facet front wall are standard "Titeliner" features.



- Built for the toughest of operations.



- Heaps of mezzanine deck options to maximize your operational flexibility.



## TITELINER SPECIFICATIONS

	A-TRAILER	B-TRAILER
Overall Length (mm)	7600	13560 (options available)
Overall Width (mm)	2500	2500
Overall Height (mm)	4300	4300
Coupling Height (mm)	1270	1270
Chassis	Light weight steel I beam construction	Light weight steel I beam construction
Coamings	100 X 40 TFB channel	100 X 40 TFB channel
Skidplate	10mm fitted with 50mm king pin	10mm fitted with dual position 50mm king pin
Landing Legs	Jost Modul 2 speed (options available)	Jost Modul 2 speed (options available)
Suspension	Weweler air suspension (options available)	Weweler air suspension (options available)
Axles	Vawdrey 10 stud steel hub 285 PCD (options available)	Vawdrey 10 stud steel hub 285 PCD (options available)
Brakes	ADR approved drum (options available)	ADR approved drum (options available)
Mudguards	Radius plastic (options available)	Aluminium splash guards - F/Deck (options available) steel splash guards -D/Deck
Wheels	10 stud steel 285 PCD (options available)	10 stud steel 285 PCD (Options available)
Tyres	F/Deck 11R22.5 D/Deck 275/70R22.5 (options available)	F/Deck 11R22.5 D/Deck 275/70R22.5 (options available)
Curtains	Welded strap PVC (options available)	Welded strap PVC (options available)
Front Wall	Heavy duty facet front	Heavy duty facet front
Rear	20mm FRP solid rear	FRP double rear doors
Floor	3mm chequer plate steel (options available)	3mm chequer plate steel (options available)
Roof	Full aluminium frame with aluminium skin supported by one (1) per side sliding side post	Full aluminium frame with aluminium skin supported by two (2) per side sliding side post
Lighting	Hella LED multi volt light to ADR specification	Hella LED multi volt light to ADR specification
Wiring	Heavy duty 5mm core wiring loom	Heavy duty 5mm core wiring loom
Paintwork	Chassis - silver enamel (options available)	Chassis - silver enamel (options available)
	Body & baseframe - 2K baked enamel	Body & baseframe - 2K baked enamel